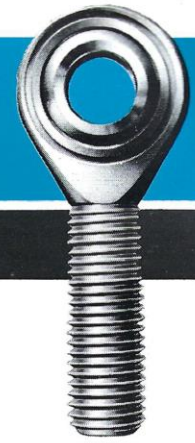
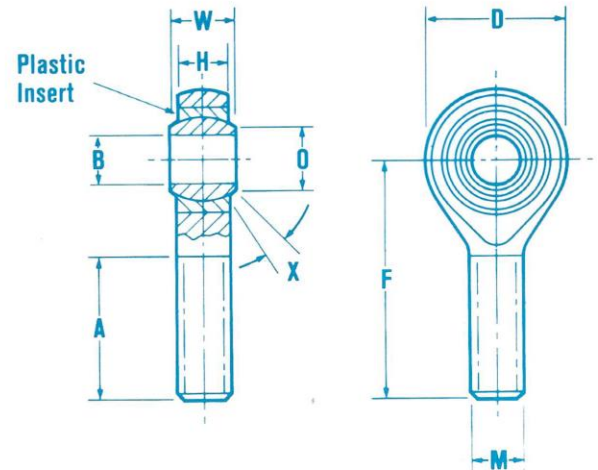


# MMP series male thread



## Specification

<b>Housing</b>	Mild steel. Phosphated.
<b>Ball</b>	1% carbon chromium steel. Chromium plated on spherical surface.
<b>Liner</b>	Plastic – acetal copolymer.
<b>Temperature</b>	Normal operating range 0-75°C.



## Metric dimensions

Bearing number	B	W	H	O	D	F	A	M	X	Ball dia	Maximum static radial load in Newtons approx.	Weight in kg. each approx.
	Bore +0,05 - 0	Ball width +0,1 -0,1	Housing width +0,1 -0,1	Ball flat dia	Head dia +0,2 -0,2	Centre length +0,2 -0,2	Thread length min.	Thread size ISO medium fit	Angle deg.			
<b>MMP 06</b>	6	9	7,5	8,9	22	36	21	M6 x 1,0	12,5	12,70	3 600	0,019
<b>MMP 08K</b>	8	12	9,75	10,4	26	42	24	M8 x 1,25	14,0	15,87	6 700	0,032
<b>MMP 10K</b>	10	14	11,25	12,9	30	48	28	M10 x 1,5	13,5	19,05	10 700	0,054
<b>MMP 12K</b>	12	16	12,75	15,4	34	54	32	M12 x 1,75	13,0	22,22	15 800	0,085.

For left hand thread insert 'L' in bearing number, eg. MMLP 08K.